



DISINFECTANT FOG GATE



COVID-19

To watch the info-video, please click here

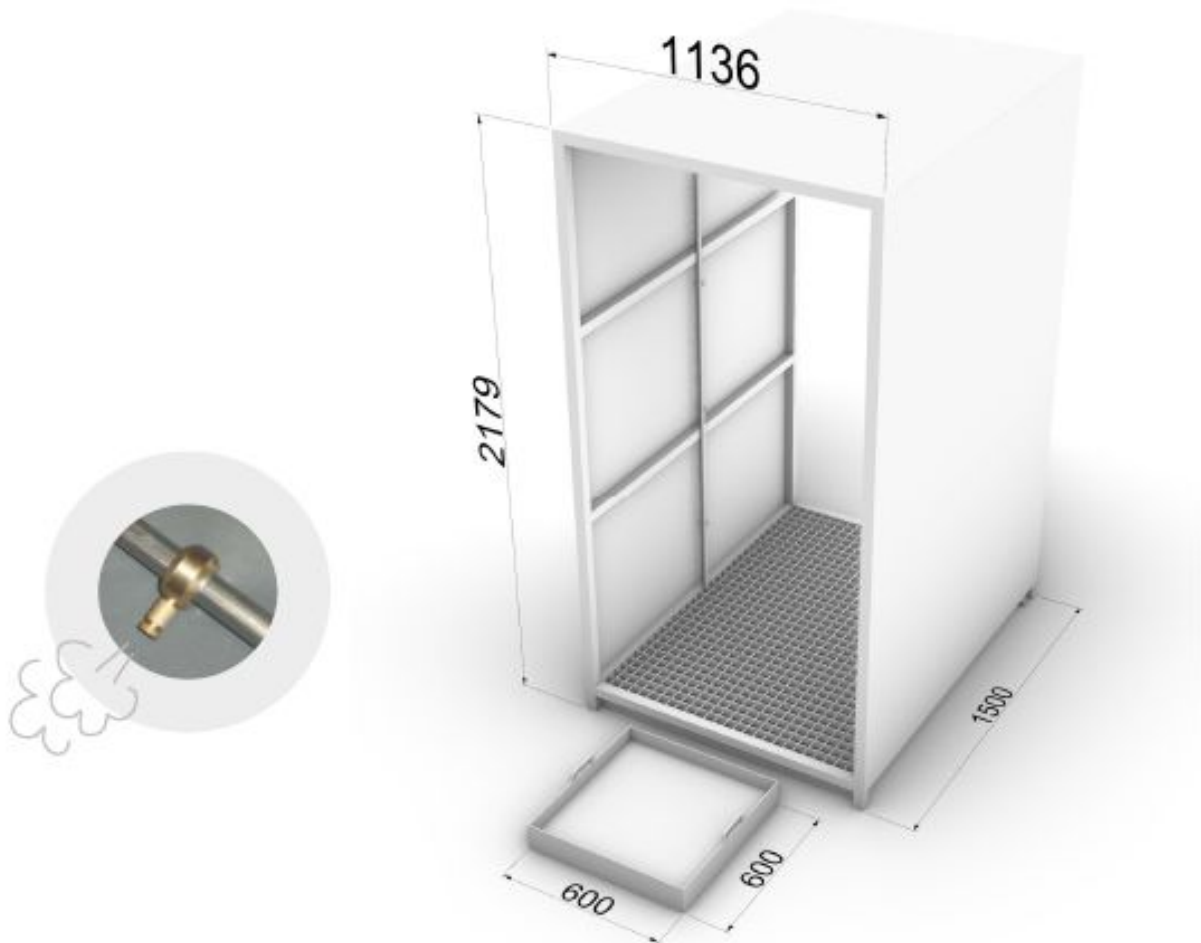


DISINFECTANT FOG GATE



DISINFECTANT FOG GATE

Disinfectant Fog Booth and Shoe Bath



High Pressure fog nozzles ensure an even distribution of chemicals without the wetting caused by sprinkler type systems.

Fog booth: Durable steel booth with grated flooring and drip tray for easy draining.

Systems Features

- *60 BAR Industrial-quality fog module.*
- *Water filtration to 10 micron.*
- *15 mm 304 Stainless steel atomisation line.*
- *0.30 mm Orifice nozzle with anti-drip and check valve.*
- *5-10 Micron water droplet.*

DISINFECTANT FOG GATE

Foot Operated Hand
Disinfectant

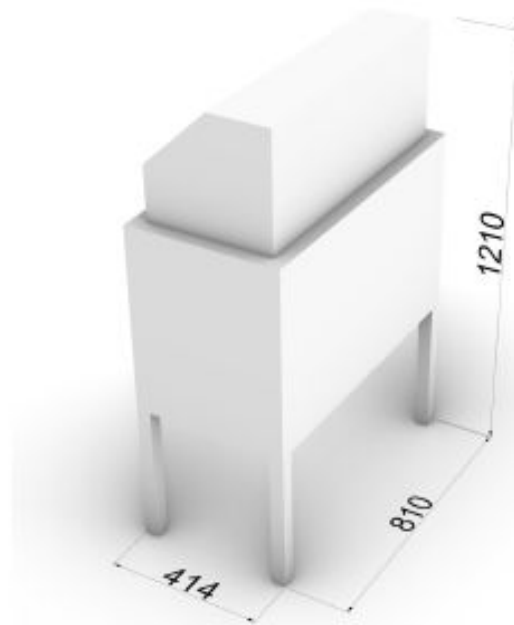


Stainless steel Foot action dispenser

Optional and available separately

DISINFECTANT FOG GATE

The Pump Station



Pump Station includes header tank, filtration, low water level protection, starting gear and dose pump.

Pump :Industrial quality high pressure fogging pump
Operating pressure 60 Bar
Flow rate 1L/min
220 V

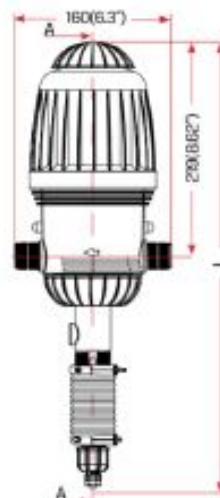
DISINFECTANT FOG GATE

The Dosing Pump

The dosing pump is used to automatically mix chemicals to preset percentages. The mix rate of the pump varies from 0.3% to 2% . This gives flexibility when choosing a disinfectant.

Technical Information

Water pressure	0.2 - 8 bar (2.9 - 120 psi)
Flow Rate	7 - 2500 l/h (185 - 660) gal/h
Working temp	4-40° C (39.2-104° F)
Coupling	3/4"



L (Height)	
	Mr Release
Max. 578 (22.7")	498 (19.5")
Min. 497 (19.5")	457 (17.9")

Application Range

Dosage Rate %	Applications	Flow Rate Range	Pressure Range	Dosage Rate	Connectors Dia. Thread	Min-Max Injection Rate Per Hour	Gross weight std unit
0.3%-2%	Irrigation / Chlorine / Acids / Livestock / Car Wash	7-2500 l/h 0.03 to 11gpm	0.2-8 bar 2.9-120 psi	1:333 - 1:50	3/4" BSPT	0.021 - 50 l/h 0.006 - 13.22gph	1.8 KG 3.97 lbs

DISINFECTANT FOG GATE

Disinfectant

The operator is welcome to choose their own disinfectant. The disinfectant Envirosept is commonly used in the industry, more information can be found on the following pages.

Please be aware that EnvironMist is not a chemical company and therefore we cannot endorse any specific manufacturer of disinfectants.



M&L LABS

Certificate/Report

RESULTS REPORTED RELATED ONLY TO ITEMS TESTED

Ref. No : 10888375

Issued at : Johannesburg

Date : 31/10/2019

Page : 3 of 4

COMPANY NAME : NUTROCHEM CC
ADDRESS : 17 STATIONROAD, BETHAL, 2310
SUBJECT : QUANTITATIVE SUSPENSION TEST FOR THE EVALUATION OF
BACTERICIDAL ACTIVITY OF CHEMICAL DISINFECTANTS
AND ANTISEPTICS SANS 51276 (EN1276)
MARKED : ENVIROSEPT SC B/N EST 30-08-2019
INSTRUCTED BY : ADRU
LAB NO. : P231123
RECEIVED ON : 04/09/2019
DATE ANALYSED : 24/10/2019

Results:

Bacterial Culture	Initial test suspension	Log Reduction
<i>E. coli</i> ATCC 10536	1.4x10 ⁷	99.9%
<i>P. aeruginosa</i> ATCC 15442	2.3x10 ⁷	99.9%
<i>Vibrio furnissii</i> ATCC 11218	2.1x10 ⁷	99.9%
<i>S. aureus</i> ATCC 6538	3.2x10 ⁷	99.9%
<i>E. hirae</i> ATCC 10541	1.4x10 ⁷	99.9%
<i>Listeria welshimeri</i> ATCC 35897	2.7x10 ⁷	99.9%
Test method and validation : SANS 51276:2011 (EN 1276)		
Dilution: 0.2% v/v		
Contact Time : 30 seconds		
Interfering solution : Sucrose		
Test Temperature : 20°C		
Neutralizing solution : Neutralizing fluid		

TECHNICAL SIGNATORY
T. NQABAZA

Authorized Signature (original blue ink)



M&L LABS

Certificate/Report

RESULTS REPORTED RELATED ONLY TO ITEMS TESTED

Ref. No : 10888375

Issued at: Johannesburg

Date : 31/10/2019

Page : 4 of 4

COMPANY NAME : NUTROCHEM CC
ADDRESS : 17 STATIONROAD, BETHAL, 2310
SUBJECT : QUANTITATIVE SUSPENSION TEST FOR THE EVALUATION OF
BACTERICIDAL ACTIVITY OF CHEMICAL DISINFECTANTS
AND ANTISEPTICS SANS 51276 (EN1276)
MARKED : ENVIROSEPT SC B/N EST 30-08-2019
INSTRUCTED BY : ADRU
LAB NO. : P231123
RECEIVED ON : 04/09/2019
DATE ANALYSED : 24/10/2019

Results:

Bacterial Culture	Initial test suspension	Log Reduction
<i>E. coli</i> ATCC 10536	1.4×10^7	99.9%
<i>P. aeruginosa</i> ATCC 15442	2.3×10^7	99.9%
<i>Vibrio furnissii</i> ATCC 11218	2.1×10^7	99.9%
<i>S. aureus</i> ATCC 6538	3.2×10^7	99.9%
<i>E. hirae</i> ATCC 10541	1.4×10^7	99.9%
<i>Listeria welshimeri</i> ATCC 35897	2.7×10^7	99.9%
Test method and validation : SANS 51276:2011 (EN 1276)		
Dilution: 0.2% v/v		
Contact Time : 1 minute		
Interfering solution : Sucrose		
Test Temperature : 20°C		
Neutralizing solution : Neutralizing fluid		

TECHNICAL SIGNATORY
T. NGABACA

Authorised Signature (original blue ink)

Page: 1 of 2

Concerning: **REGISTRATION GRANTED**

of a disinfectant or detergent-disinfectant formulation pursuant to the Compulsory Specification for disinfectants and detergent-disinfectants as published by Government Notice No. R. 529 (Government Gazette No. 19999) of 14 May 1999.

Registration No.: **Act5GNR529/293717/040/1203**

Extension No.: -

1. Disinfectant or detergent-disinfectant formulation

Full name of manufacturer, proprietor, controlling company or trade mark holder: **Nutrochem CC**

Product name: **Envirosept SC**

Product description: **Didecyldimethyl Ammonium Chloride Disinfectant**

Strength designation: **>1 %**

Rideal-Walker coefficient (coal-tar type): **n/a**

Colour variants: **None**

Perfume variants: **None**

2. Holder of the registration

Name: **Nutrochem CC**

Address: **17 Station Road
Bethal
2310**

3. Terms and conditions of issue

- 3.1 This registration certificate is applicable only to the disinfectant or detergent-disinfectant formulation as identified in it.
- 3.2 The holder of the registration shall maintain compliance of the disinfectant or detergent-disinfectant formulation with the requirements of the appropriate compulsory specification.
- 3.3 No modifications shall be made to the disinfectant or detergent-disinfectant formulation itself, its composition and information that shall appear on each container or on a label securely attached to each container as required by the appropriate compulsory specification, without prior notification of the NRCS.
- 3.4 This registration certificate remains the property of the NRCS and may be withdrawn if any of the conditions attached to its issue are not complied with.

4. Registration granted

Place: **Pretoria**

Date: **23/07/2019**


T. Magolego (Mrs)
Manager: Approvals
NRCS CMM Division


M.E Phalatse (Ms)
Principal Inspector: Approvals
NRCS CMM Division



Head Office

SABS Campus 1 Dr Lategan Road Groenkloof Pretoria

✉ NRCS Private Bag X25, Brooklyn 0075

☎ Tel +27 12 428 5000 * Sharecall 0860 722 700 * Fax +27 12 428 5199

@ Web www.nrcs.org.za

5. **Manufacturer**

Name: **Nutrochem CC**
Address: **17 Station Road
Bethal
2310**

6. **Reference documents**

The following documents, bearing the registration number shown below, are attached to this registration certificate:

- **List of raw materials for the disinfectant or detergent-disinfectant formulation.**
- **Label or information on the container for the disinfectant or detergent-disinfectant formulation.**

--oOo--

EnvironMist



Chris Hepburn-Brown

082 897 0538

chrishb@hermanus.co.za

EnvironMist

Unit 7 Mimosa Business Park

Mimosa Street

Hermanus